

THIS DRAWING IS UNPUBLISHED.

RELEASED FOR PUBLICATION

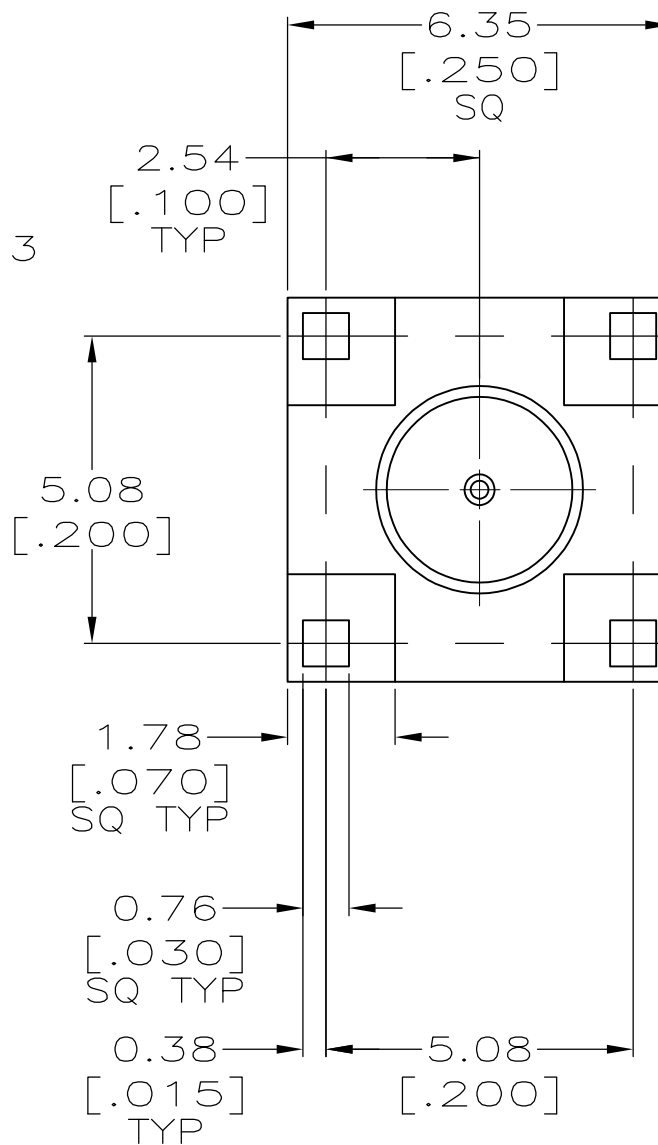
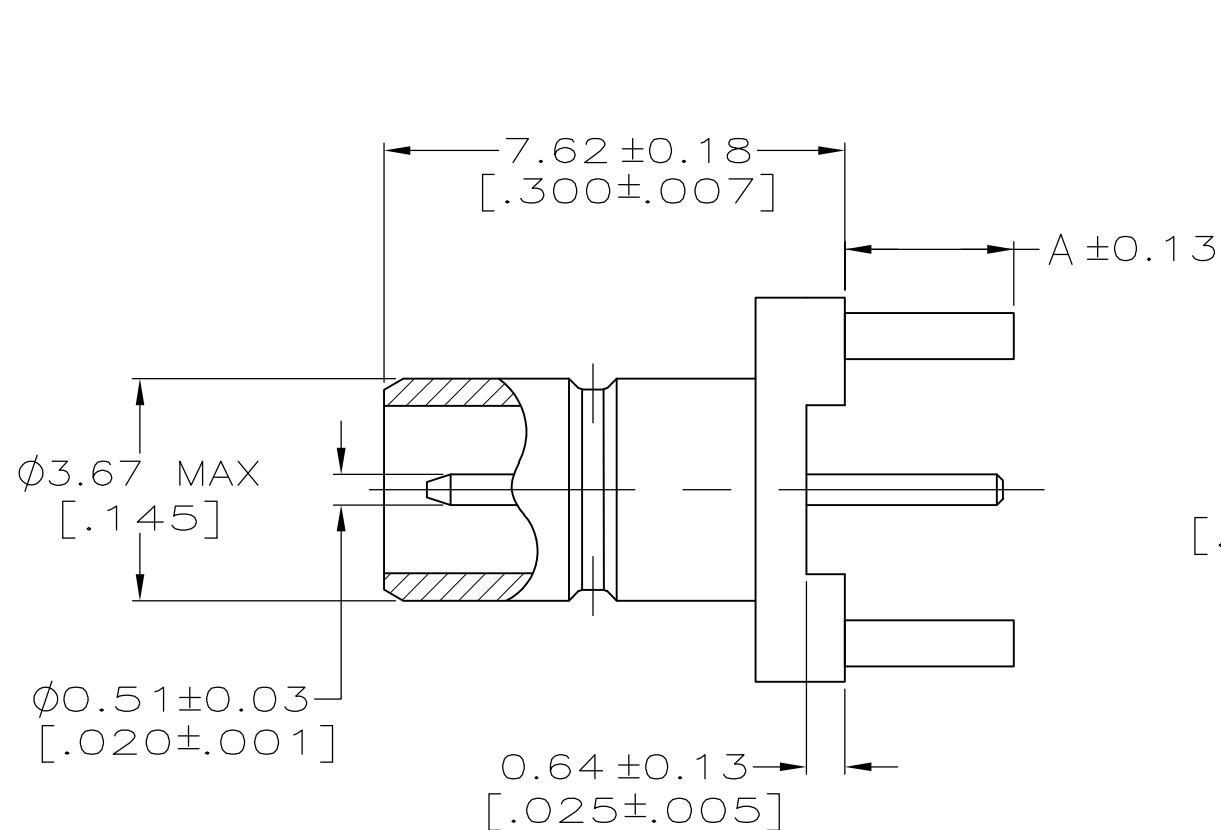
ALL RIGHTS RESERVED.

© COPYRIGHT 2005 By -

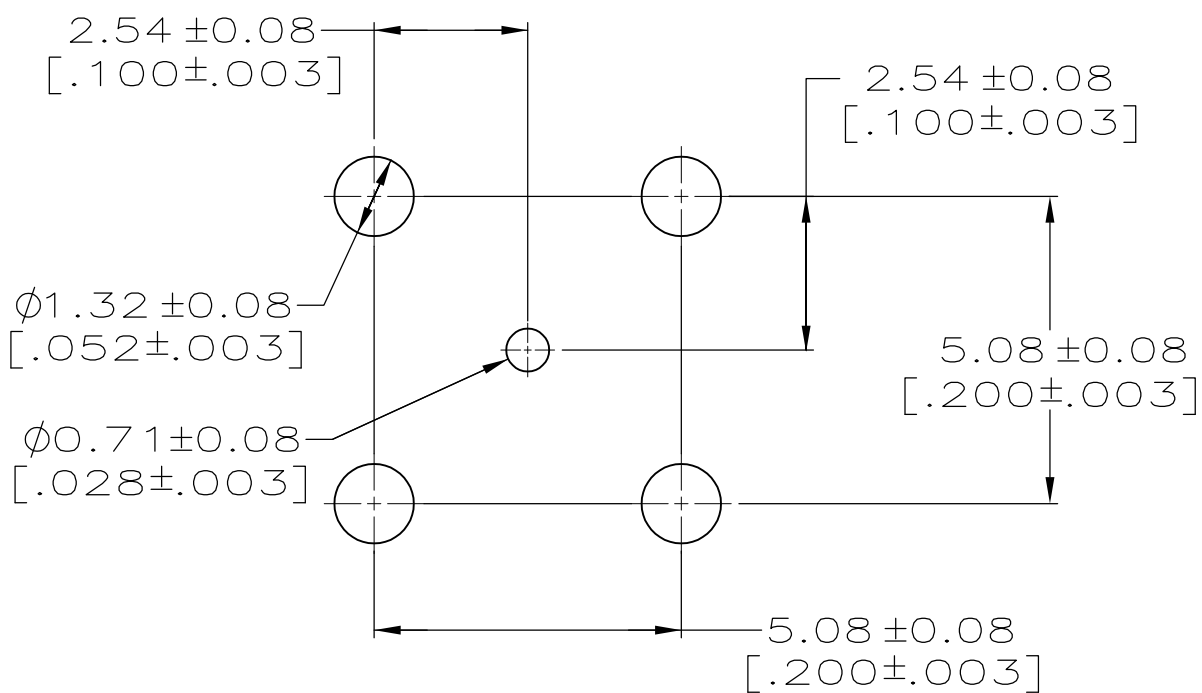
LOC
AJ 16

REVISIONS

P	LTR	DESCRIPTION	DATE	DWN	APVD
	B1	ECR-12-005726	27MAR12	RK	MY



- ① MATERIALS:
BODY: BRASS PER QQ-B-626.
CONTACT: BRASS PER QQ-B-626.
DIELECTRIC: PTFE PER ASTM-D-1710.
- ② FINISHES:
BODY: GOLD PER MIL-G-45204.
CONTACT: GOLD PER MIL-G-45204.
- ③ FINISHES:
BODY: GOLD FLASH PER MIL-G-45204
OVER NICKEL PER QQ-N-290.
CONTACT: GOLD PER MIL-G-45204.
- ④ SEE SEPERATE RESTRICTED
CUSTOMER DRAWING WITH THIS
PART NUMBER.



OBSOLETE

④	-	-	415504-6
	3.05 [.120]	③	415504-4
	3.05 [.120]	②	415504-3
	2.11 [.083]	③	415504-2
	2.11 [.083]	②	415504-1

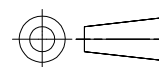
A

FINISH

PART
NUMBER

THIS DRAWING IS A CONTROLLED DOCUMENT.

DIMENSIONS:
mm [INCHES]



MATERIAL

TOLERANCES UNLESS
OTHERWISE SPECIFIED:

0 PLC	± -
1 PLC	± -
2 PLC	± 0.05 [.002]
3 PLC	± -
4 PLC	± -
ANGLES	± -

FINISH

DWN 27JUN96

B.MOYER

CHK 28JUN96

G. MICHAEL

APVD 28JUN96

G. MICHAEL

PRODUCT SPEC

APPLICATION SPEC

WEIGHT

-

27JUN96

NAME

SIZE

CAGE CODE

DRAWING NO

RESTRICTED TO

A3

00779

C-415504

CUSTOMER DRAWING

SCALE 8:1

SHEET 1 OF 1

REV B1

STE TE Connectivity

STRAIGHT JACK, PCB,
75 OHM, MINI-SMB

RECOMMENDED PCB CONFIGURATION